

DAF 450 FAN 6x2 Road with HYVA Loader 20-53-S with bucking bar pin 40 containers up to 6m

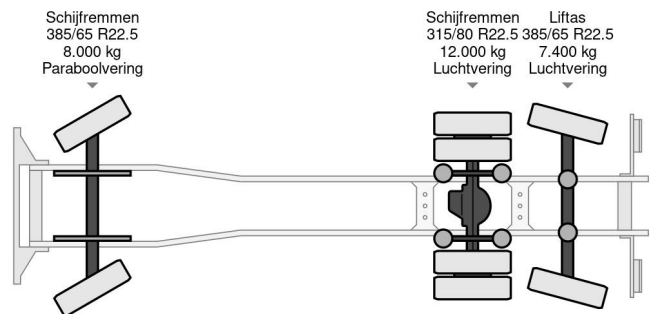
????????????? ????????????

????????????????	????????? ?????????? ? ????????
??? ????????????	2022
????? ??????????	2022-04-29
????????????????	
Id	DIFCHW17 - 2BXM785 - 0G371083
Vin	XLRASM4100G372217
????????????????? ???	6x2
????????????? ????	560 cm
?????????????	?????????
????????????? ??????????	250 km
??????????	?????????
?????? ? ????????	Euro 6
????????????	331 kW (450 PK)
???????	801 cm
?????????	250 cm
?????????	335 cm



DAF CF 450 FAN 6x2 Road with HYVA Loader 20-53-S with...

Referentienummer: DIFCHW17 - 2BXM785 - 0G371083



???????????????

- ABS • EBS • Lane departure warning-system • PTO
- ?????????????? ??????-????????????? • ????????????????
- ?????????????? • ?????????????????????? ????????????

?????????????

DIFCHW17 DAF CF 450 FAN 6X2 axle with HYVA Loader 20-53-S
 chassis XLRASM4100G371083
 wheelbase total : 5600 mm
 Axle 1-2 : 4200 mm
 Axle 2-3 : 1400 mm