

DAF 450 FAN 6x2 Road with HYVA Loader 20-53-S with bucking bar pin 40 containers up to 6m

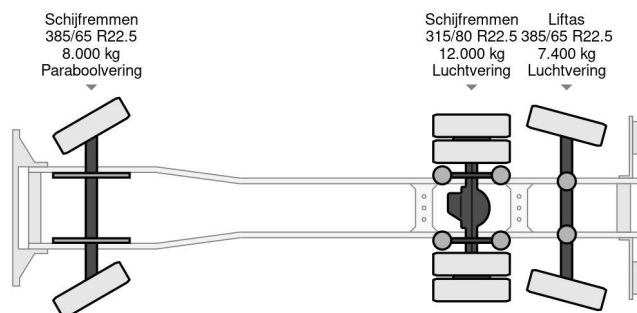
TECHNICAL INFORMATION

Construction	Hook arm system
Year	2022
Date 1st registration	2022-04-29
Id	DIFCHW17 - 2BXM785 - 0G371083
Vin	XLRASM4100G372217
Axle configuration	6x2
Wheelbase	560 cm
Transmission	Automatic
Mileage	250 km
Fuel	Diesel
Emissionclass	Euro 6
Power	331 kW (450 PK)
Length	801 cm
Width	250 cm
Height	335 cm



DAF CF 450 FAN 6x2 Road with HYVA Loader 20-53-S with...

Referentienummer: DIFCHW17 - 2BXM785 - 0G371083



ACCESSORIES

- ABS
- Addaptive cruise control
- Air conditioning
- Air suspension
- Aluminium fuel tank
- ASR (Anti-Slip Regulation/Traction Control)
- Central locking
- Central lubrication system
- Coupling
- Disc brakes
- driving assistant
- EBS
- Electrically operated windows
- Extra steering axle
- Grip arm hydraulics
- Lane departure warning-system
- multifunctional steering wheel
- Navigation
- Power steering
- PTO
- Radio/CD player
- Reversing camera
- Speed limiter
- Stability control
- Visor

DESCRIPTION

DIFCHW17 DAF CF 450 FAN 6X2 axle with HYVA Loader 20-53-S

chassis XLRASM4100G371083

wheelbase total : 5600 mm

Axle 1-2 : 4200 mm

Axle 2-3 : 1400 mm